

Fluid control valve

Coil and accessories



Specification

Model/Item	Power type	Voltage (V)	Frequency (Hz)	Voltage range	Electrical entry	Power Consumption (VA/W)		Insulation	Temp.rise (°C)			
						For NC	For NO		NC	NO		
110 Series	AC	220	50	± 15%	DIN Terminal	10.0VA	15.0VA	Class F	35	50		
			60			8.0VA	11.0VA		30	40		
		110	50			10.0VA	15.0VA		35	50		
			60			8.0VA	11.0VA		30	40		
	24	50	10.0VA			15.0VA	35		50			
		60	8.0VA			11.0VA	30		40			
	DC	24	-			± 10%	Grommet		6.5W		30	30
		12										
160 Series	AC	220	50	± 15%	DIN Terminal	25.0VA	35.0VA	Class F	60	65		
			60			22.0VA	30.0VA		55	60		
		110	50			25.0VA	35.0VA		60	65		
			60			22.0VA	30.0VA		55	60		
		24	50			25.0VA	35.0VA		60	65		
			60			22.0VA	30.0VA		55	60		
	DC	24	-	± 10%	Grommet	12.0W		40	40			
		12										

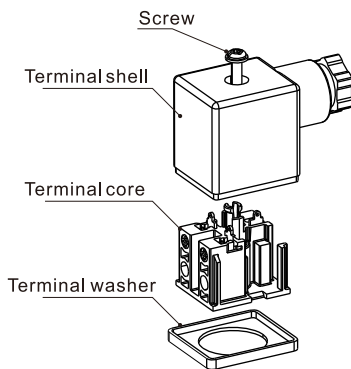
Hookup

Coil's type		Hookup
110 Series	CDA110 (Terminal)	AC
		DC
	CLA110 (Grommet)	AC
		DC
160 Series	CDA160 (Terminal)	AC
		DC
	CLA160 (Grommet)	AC
		DC

How to select coil

Valve type\Coil type	110Series		160 Series	
	Class F	Class H	Class F	Class H
2SA□030 2KSA□030	●	×	×	×
2SA□050 2KSA□050	×	×	●	×
2SA150~250 2KSA150~250	●	×	×	×
2WA□030 2KWA□030	●	×	×	×
2WA□050 2KWA□050	×	×	●	×
2WA150~250 2KWA150~250	●	×	×	×

How to use connector



How to select accessories

Valve type\Accessories type	F-2WA030LB	F-2WA050LB	F-2WA150LB	F-2WA200LB	F-2WA250LB
2SA□030 2KSA□030	●	×	×	×	×
2SA□050 2KSA□050	×	●	×	×	×
2SA150 2KSA150	×	×	●	×	×
2SA200 2KSA200	×	×	×	●	×
2SA250 2KSA250	×	×	×	×	●
2WA□030 2KWA□030	●	×	×	×	×
2WA□050 2KWA□050	×	●	×	×	×
2WA150 2KWA150	×	×	●	×	×
2WA200 2KWA200	×	×	×	●	×
2WA250 2KWA250	×	×	×	×	●

Ordering code of coil

CD A110 A □

① ② ③ ④

①Coil type	②Coil's bore	③Voltage	④Temperature resistance class
CD: Terminal CL: Grommet	A110: Coil Specification (Bore sizeΦ10.0mm) A160: Coil Specification (Bore sizeΦ16.0mm)	A: AC220V B: DC24V C: AC110V E: AC24V F: DC12V	Blank: F Class H: H Class