

# Fluid control valve(2/2 way)

## 2KWA Series (Direct-acting and normally opened)



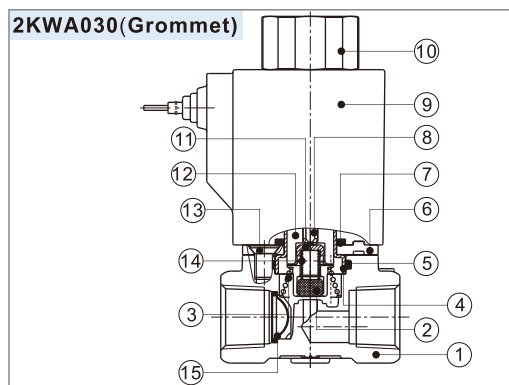
### Symbol



### Product feature

1. Direct acting and normally opened type 2/2 way fluid valve. Its high sensibility allows it to change direction quickly;
2. It has wide pressure range, including extra high pressure (X), high pressure (H), standard and large volume(L) to choose from;
3. It is compact, small size and light weight. Easy to install and dismantle.
4. The valve body is made of brass . Its coil has a Heat resistance classification of Class F. The standard seal material is FPM-F. Please contact us if other seal material are required.
5. The protection class of the coil is IP65 and there is a choice for grommet or terminal electrical entry .

### Inner structure



No.	Item	No.	Item	No.	Item
1	Body	6	Fixed plate	11	Airtight bush
2	Airtight ring	7	O-ring	12	Electromagnet
3	Spring	8	Mandril	13	Screw
4	Coil axis	9	Coil assembly	14	Spring
5	O-ring	10	Coil nut	15	Filter

### Specification

Model\Item	Port size [Note1]	Cv	Orifice size (Φmm)	Valid area or section (mm <sup>2</sup> )	Weight [Note2](g)	Max.operating pressure differentia		Proof pressure	
						MPa	psi	Mpa	psi
2KWAX030	-06 1/8"	0.10	1.5	1.8	245	2.0	300	3.0	450
	-08 1/4"				235				
2KWAH030	-06 1/8"	0.18	2.0	3.0	245	1.5	220		
	-08 1/4"				235				
2KWA030	-06 1/8"	0.33	3.0	6.0	245	0.7	100		
	-08 1/4"				235				
2KWAL030	-06 1/8"	0.55	4.0	10.0	245	0.4	60		
	-08 1/4"				235				
2KWAX050	-10 3/8"	0.34	3.0	6.1	530	2.0	300		
	-15 1/2"				510				
2KWAH050	-10 3/8"	0.55	4.0	10.0	530	1.5	220		
	-15 1/2"				510				
2KWA050	-10 3/8"	0.83	5.0	15.0	530	0.7	100		
	-15 1/2"				510				
2KWAL050	-10 3/8"	1.40	7.0	25.0	530	0.4	60		
	-15 1/2"				510				

[Note1] G thread is available.

[Note2] The weight in the table is the terminal valve's weight, 2KWA030 series grommet valve's weight is 10g less than terminal's. 2KWA050series grommet valve's weight is 20g less than terminal's.

### Specification of coil

Valve type	Coil type	Power type	Frequency (Hz)	Voltage range	Electrical entry	Power Consumption (VA/W)	Insulation	Temp. rise(°C)
2KWA□030	CDA110 CLA110	AC	50	±15%	Terminal (CDA)	15.0VA	Class F	50
			60			11.0VA		40
		DC	-	±10%		6.5W		30
2KWA□050	CDA160 CLA160	AC	50	±15%	Grommet (CLA)	35.0VA		65
			60			30.0VA		60
		DC	-	±10%		12.0W		40

### Valve's specification

Acting		Direct acting			
Initial state		Normally opened			
Adaptable fluid		Air, Water, Oil			
Viscosity limit		Under 20CST			
Ambient and fluid temperature ( °C )		Water	Air	Oil	Ambient
	Max.	80	90	80	70
	Min.	1	-20 [Note1]	-10 [Note2]	-20

[Note1] Dew point: -20(°C) or less ;

[Note2] 50CST or less.

### Ordering code

#### Ordering code of valves

2KWA H 030 08 A □ G



① Model	② Pressure condition	③ Size series	④ Port size	⑤ Voltage	⑥ Electrical entry	⑦ Thread type
2KWA: 2/2 way direct-acting and normally opened	X: Extra high pressure H: High pressure Blank: Standard L: Large volume	030: 030 Series	06: 1/8" 08: 1/4"	A: AC220V B: DC24V C: AC110V E: AC24V F: DC12V	Blank: Terminal I: Grommet[Note]	G: G
		050: 050 Series	10: 3/8" 15: 1/2"			

[Note] The wire length is 0.5m.

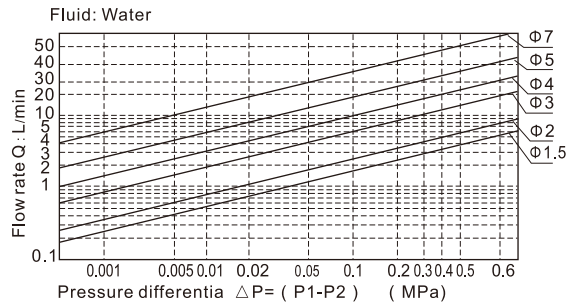
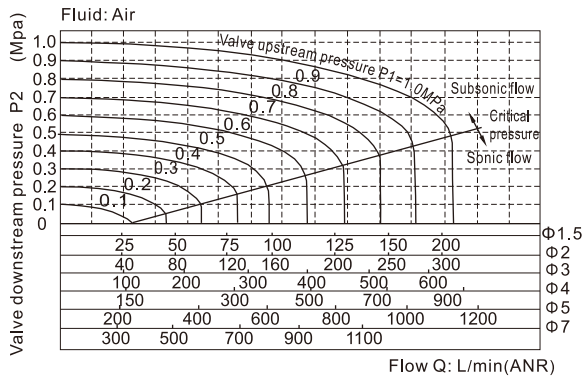
#### Ordering code of accessories

Ordering code of accessories is the same as 2WA series valve's, Please refer to P165 for details of ordering code.

# Fluid control valve(2/2 way)

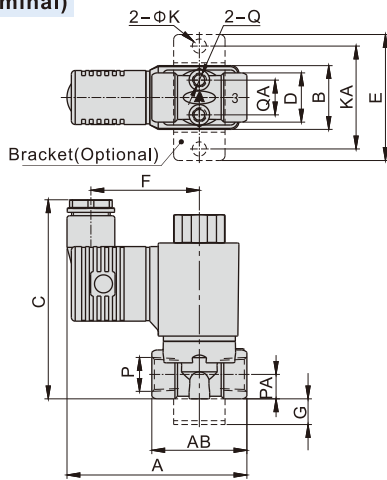
## 2KWA Series (Direct-acting and normally opened)

### Flow chart

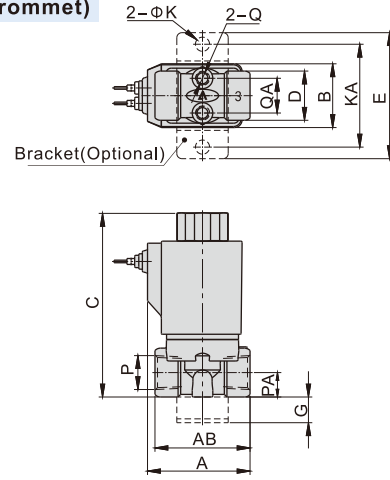


### Dimensions

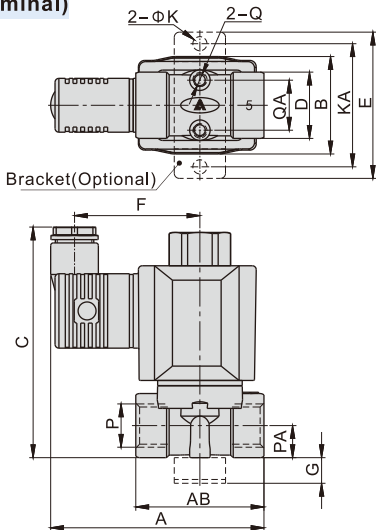
#### 2KWA□030 (Terminal)



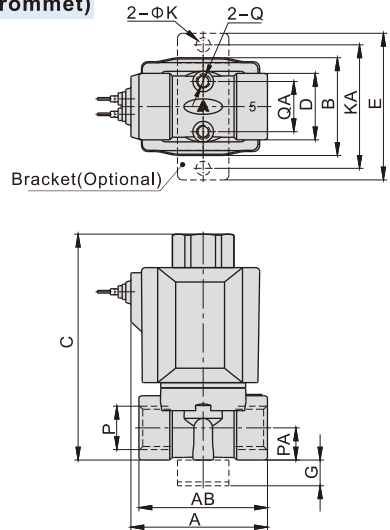
#### 2KWA□030 (Grommet)



#### 2KWA□050 (Terminal)



#### 2KWA□050 (Grommet)



Model\Item	A	AB	B	C	D	E	F	G	K	KA	P	PA	Q	QA
2KWA□030-06	70	37	25	77.5	19	49	42	10	5.5	40	1/8"	9.5	M5	13.5
2KWA□030-08	70	37	25	77.5	19	49	42	10	5.5	40	1/4"	9.5	M5	13.5
2KWA□050-10	83	50	38	90	26	57	49	10	5.5	48	3/8"	12.5	M5	19.5
2KWA□050-15	83	50	38	90	26	57	49	10	5.5	48	1/2"	12.5	M5	19.5

Model\Item	A	AB	B	C	D	E	G	K	KA	P	PA	Q	QA
2KWA□030-06	40	37	25	74	19	49	10	5.5	40	1/8"	9.5	M5	13.5
2KWA□030-08	40	37	25	74	19	49	10	5.5	40	1/4"	9.5	M5	13.5
2KWA□050-10	53	50	38	90	26	57	10	5.5	48	3/8"	12.5	M5	19.5
2KWA□050-15	53	50	38	90	26	57	10	5.5	48	1/2"	12.5	M5	19.5

