

# Accessories—One-Touch Fittings

## One-touch fittings—threaded type

### Ordering code

#### Same diameter type fittings

GPL 6 01 □

① ② ③ ④

① Model		② Port size	③ Thread connection		④ Standard color		
GPHW: Double universal male elbow (G thread)	GPL: Male elbow (G thread)	4: Φ4mm 6: Φ6mm 8: Φ8mm 10: Φ10mm 12: Φ12mm	Thread connection	Adaptable port size	Standard color	Specification	Adaptable model
GPHF: Universal female elbow (G thread)	GPLL: Extended male elbow (G thread)		M5: M5X0.8	Φ4, Φ6	Blank: Gray	Release button: Gray	GPCF GPMF
GPEB: Male branch tee (G thread)	GPLF: Female elbow (G thread)		01: G1/8 02: G1/4 03: G3/8 04: G1/2	Φ4, Φ6 Φ8, Φ10 Φ12	D: Black	Release button: Gray	Others
GPED: Male run tee (G thread)	GPCF: Female connector (G thread)					Release button: Black	GPCF GPMF
GPYB: Branch "Y" (G thread)	GPMF: Bulkhead connector (G thread)		Release button: Black	Body: Black	Others		
GPZB: Threaded cross (G thread)	GPH: Universal male elbow (G thread)						

#### Different diameter type fittings

GPKD 6 - 4 01 □

① ② ③ ④ ⑤

① Model	② Port size	③ Port size	④ Thread connection	⑤ Standard color	
GPKD: Male reducer triple branch (G thread)	6: Φ6mm 8: Φ8mm 10: Φ10mm	4: Φ4mm 6: Φ6mm 8: Φ8mm	01: G1/8 02: G1/4 03: G3/8	Standard color	Specification
				Blank: Gray	Release button: Gray/Body: Gray
				D: Black	Release button: Black/Body: Black

### Specification

<b>Operating pressure range</b>	0~10kgf/cm <sup>2</sup> (0~1.0MPa)
Negative pressure	-750mmHg(10Torr)
Proof pressure	1.5MPa
Ambient and fluid temperature (°C)	-20~70
Applicable tubing	Soft nylon or polyurethane
Color	Gray/black

### Product feature

- Variable models can be widely used in every kind of pneumatic systems.
- High circulation performance: bear the same flow with the volume of the tubing inside diameter.
- Connect tubing easily and conveniently. The tubing connection portion is safe and durable.
- The thread is attached with a sealing gasket to prevent air leakage over the connection thread portion.
- The nickel plated body is anti-corrosion and anti-pollution, which allows a broader application.

### Inner structure

GPL Series		No.	Item	Material
	1	Release button	POM	
	2	Guide	Aluminum alloy	
	3	Spring gasket	Stainless steel	
	4	Chuck	POM	
	5	O-ring	NBR	
	6	Body	PBT	
	7	O-ring	NBR	
	8	Stud	Brass	
	9	O-ring	NBR	

### Table for interface port and tube O.D.

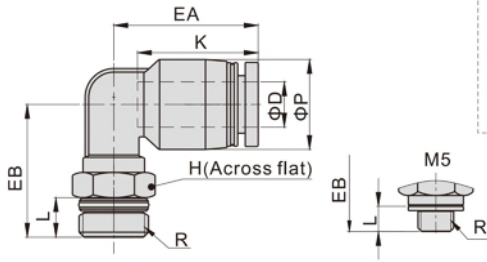
Product series	Thread type	Port size				
		Φ4	Φ6	Φ8	Φ10	Φ12
GPL	M5	•				
	G1/8	•	•	•	•	
	G1/4	•	•	•	•	
	G3/8	•	•	•	•	
	G1/2	•	•	•	•	
GPLL	M5	•	•			
	G1/8	•	•	•	•	
	G1/4	•	•	•	•	
	G3/8	•	•	•	•	
	G1/2	•	•	•	•	
GPEB GPED GPYB	M5	•	•			
	G1/8	•	•	•	•	
	G1/4	•	•	•	•	
	G3/8	•	•	•	•	
	G1/2	•	•	•	•	
GPH GPHF	M5	•	•			
	G1/8	•	•	•		
	G1/4	•	•	•	•	
	G3/8	•	•	•	•	
	G1/2	•	•	•	•	
GPHW	G1/8	•	•	•		
	G3/8	•	•	•	•	
	G1/2	•	•	•	•	
GPZB	G1/8	•	•			
	G1/4	•	•	•		
	G3/8	•	•	•	•	
GPKD	G1/8	•				
	G1/4		•			
	G3/8			•		

# Accessories—One-Touch Fittings

## One-touch fittings—threaded type

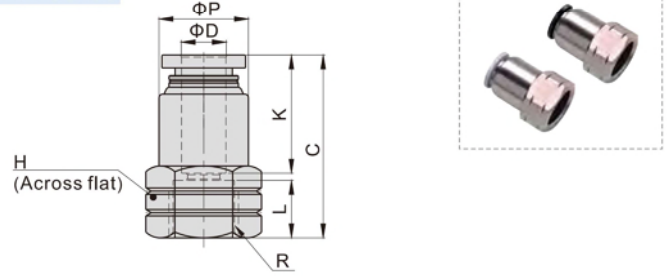
### Dimensions

#### GPL Series



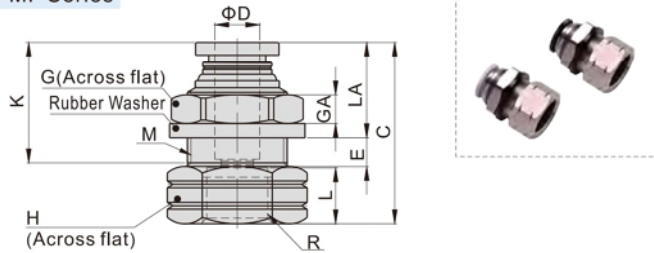
Model/Item	ΦD	R	ΦP	L	K	EA	EB	H	Weight(g)	PCS/bag
GPL6M5	6	M5×0.8	12.5	3.5	17	20	17.0	8	4.5	10
GPL601		G1/8	12.5	5.5	17	20	18.5	10	5.2	10
GPL602		G1/4	12.5	6.5	17	20	22.0	14	11.9	10
GPL603		G3/8	12.5	7	17	20	23.0	19	20.5	10
GPL604	8	G1/2	12.5	8.5	17	20	26.5	22	32.7	10
GPL801		G1/8	15	5.5	18.5	23	19.0	10	6.9	10
GPL802		G1/4	15	6.5	18.5	23	24.0	14	12.2	10
GPL803		G3/8	15	7	18.5	23	24.0	19	21	10
GPL804	10	G1/2	15	8.5	18.5	23	27.5	22	32.7	10
GPL1001		G1/8	18	5.5	21	25.5	24.5	17	16.3	10
GPL1002		G1/4	18	6.5	21	25.5	25.0	17	17.4	10
GPL1003		G3/8	18	7	21	25.5	25.5	19	21	10
GPL1004	12	G1/2	18	8.5	21	25.5	29.0	22	33.7	10
GPL1201		G1/8	21	5.5	23	28.5	26.0	17	18.8	10
GPL1202		G1/4	21	6.5	23	28.5	26.5	17	19.9	10
GPL1203		G3/8	21	7	23	29.5	30.5	19	27.4	10
GPL1204	12	G1/2	21	8.5	23	29.5	30.5	22	33.7	10

#### GPCF Series



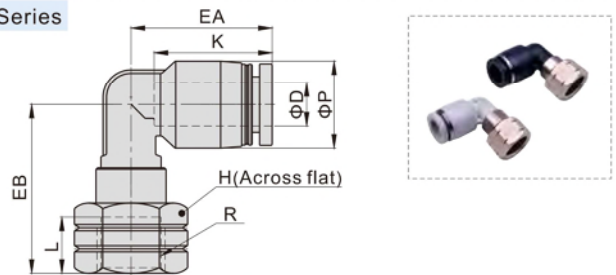
Model/Item	ΦD	R	ΦP	L	C	K	H	Weight(g)	PCS/bag
GPCF4M5	4	M5×0.8	9	5	21	14	10	2.7	10
GPCF401		G1/8	9.5	8	23	14	14	4.5	10
GPCF402	6	G1/4	9.5	11	26	14	17	6.5	10
GPCF6M5		M5×0.8	12	5	21.5	16.5	12	3.9	10
GPCF601		G1/8	12.5	8	25.5	16.5	14	5.6	10
GPCF602		G1/4	12.5	11	28.5	16.5	17	7.5	10
GPCF603	8	G3/8	13	12	29.5	16.5	21	10.7	10
GPCF604		G1/2	13	13.5	31.0	16.5	25	13.8	10
GPCF801		G1/8	14	8	27.5	18.5	14	5.8	10
GPCF802		G1/4	14.5	11	30.5	18.5	17	8.4	10
GPCF803	10	G3/8	14.5	12	31.5	18.5	21	11.2	10
GPCF804		G1/2	14.5	13.5	33	18.5	25	14.4	10
GPCF1001		G1/8	17	8	29	21	17	9.5	10
GPCF1002		G1/4	17	11	33	21	17	9.9	10
GPCF1003	12	G3/8	18	12	34	21	21	14	10
GPCF1004		G1/2	18	13.5	35.5	21	25	17.1	10
GPCF1202		G1/4	21	11	33.5	23	21	17.5	10
GPCF1203		G3/8	21	12	35.5	23	21	16.6	10
GPCF1204	12	G1/2	21	13.5	37	23	25	19.7	10

#### GPMF Series



Model/Item	ΦD	R	M	L	C	K	LA	E	GA	G	H	Weight(g)	PCS/bag
GPMF401	4	G1/8	M12X1	8	25	14	12.0	4	4	14	14	6.4	10
GPMF402		G1/4	M12X1	11	29	14	12.0	4	4	14	17	9	10
GPMF601	6	G1/8	M14X1	8	25.5	16.5	12.5	5	4	17	17	9.1	10
GPMF602		G1/4	M14X1	11	30.5	16.5	12.5	5	4	17	17	10.9	10
GPMF603		G3/8	M14X1	12	31.5	16.5	12.5	5	4	17	21	13.2	10
GPMF801		G1/8	M16X1	8	27.5	18.5	13.5	5.5	4	19	19	12.8	10
GPMF802	8	G1/4	M16X1	11	32	18.5	13.5	5.5	4	19	19	15.7	10
GPMF803		G3/8	M16X1	12	33	18.5	13.5	5.5	4	19	21	15	10
GPMF804		G1/2	M16X1	13.5	34.5	18.5	13.5	5.5	4	19	25	18.1	10
GPMF1001		G1/8	M20X1	8	30	21	14.5	7.5	5	24	22	19.6	10
GPMF1002	10	G1/4	M20X1	11	35	21	14.5	7.5	5	24	22	22.8	10
GPMF1003		G3/8	M20X1	12	36	21	14.5	7.5	5	24	22	21.1	10
GPMF1004		G1/2	M20X1	13.5	37.5	21	14.5	7.5	5	24	25	23.2	10
GPMF1202		G1/4	M22X1	11	34.5	23	15.5	8	6	27	24	26.2	10
GPMF1203	12	G3/8	M22X1	12	37.5	23	15.5	8	6	27	24	27	10
GPMF1204		G1/2	M22X1	13.5	39	23	15.5	8	6	27	25	26.2	10

#### GPLF Series

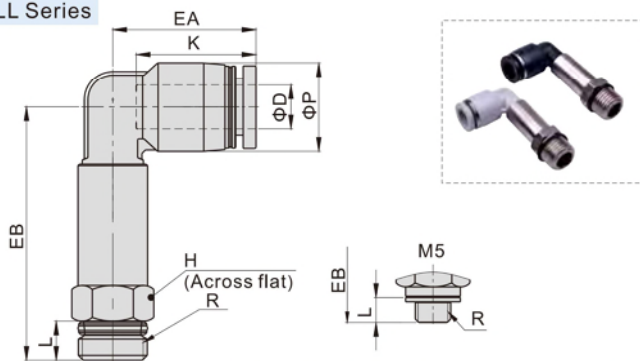


Model/Item	ΦD	R	ΦP	L	K	EA	EB	H	Weight(g)	PCS/bag
GPLF4M5	4	M5×0.8	9	5	14	17	16	10	2.9	10
GPLF401		G1/8	9	8	14	17	21	14	4.6	10
GPLF402	6	G1/4	9	11	14	17	24	17	6.8	10
GPLF6M5		M5×0.8	12.5	5	17	20	18.5	10	7	10
GPLF601		G1/8	12.5	8	17	20	23	14	5.8	10
GPLF602		G1/4	12.5	11	17	20	26	17	8	10
GPLF603	8	G3/8	12.5	12	17	20	27	21	10.7	10
GPLF801		G1/8	15	8	18.5	23	20	14	6.6	10
GPLF802		G1/4	15	11	18.5	23	27.5	17	9.2	10
GPLF803		G3/8	15	12	18.5	23	28.5	21	11.9	10
GPLF804	10	G1/2	15	13.5	18.5	23	30	25	15.2	10
GPLF1001		G1/8	18	8	21	25.5	24	17	11.3	10
GPLF1002		G1/4	18	11	21	25.5	26.5	17	11.2	10
GPLF1003		G3/8	18	12	21	25.5	30	21	14.5	10
GPLF1004	12	G1/2	18	13.5	21	25.5	31.5	25	17.4	10
GPLF1202		G1/4	21	11	23	28.5	28.5	17	13.7	10
GPLF1203		G3/8	21	12	23	29.5	32	21	17.4	10
GPLF1204		G1/2	21	13.5	23	29.5	33	25	20.4	10

# Accessories—One-Touch Fittings

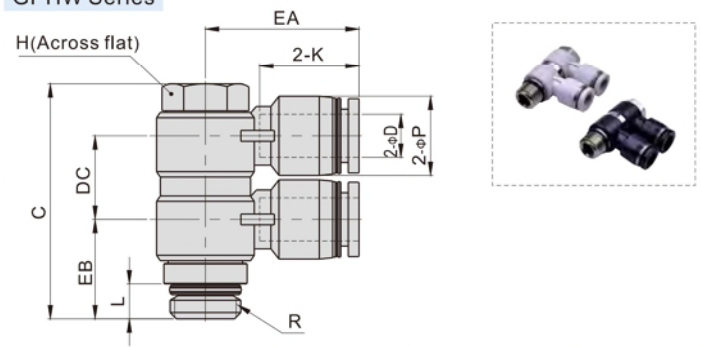
## One-touch fittings—threaded type

### GPLL Series



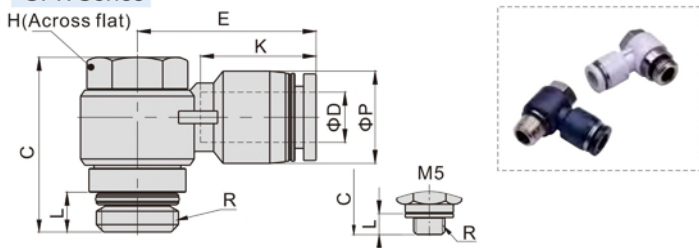
Model\Item	ΦD	R	ΦP	L	K	EA	EB	H	Weight(g)	PCS/bag
GPLL4M5	4	M5×0.8	9	3.5	14	17	32.5	8	8.9	10
GPLL401		G1/8	9	5.5	14	17	33.5	10	11.4	10
GPLL402		G1/4	9	6.5	14	17	36.5	14	15.3	10
GPLL6M5	6	M5×0.8	12.5	3.5	17	20	34.5	8	9.9	10
GPLL601		G1/8	12.5	5.5	17	20	35.5	10	12.1	10
GPLL602		G1/4	12.5	6.5	17	20	38.5	14	16.4	10
GPLL603	8	G3/8	12.5	7	17	20	41	19	24	10
GPLL801		G1/8	15	5.5	18.5	23	43	12	16.4	10
GPLL802		G1/4	15	6.5	18.5	23	43.5	14	21.1	10
GPLL803	10	G3/8	15	7	18.5	23	46	19	28.5	10
GPLL1001		G1/8	18	5.5	21	25.5	50	15	37.3	10
GPLL1002		G1/4	18	6.5	21	25.5	51.5	15	39	10
GPLL1003	12	G3/8	18	7	21	25.5	52.5	19	41.5	10
GPLL1004		G1/2	18	8.5	21	25.5	53.5	22	44.1	10
GPLL1202		G1/4	21	6.5	23	28.5	56	15	44	10
GPLL1203	12	G3/8	21	7	23	29.5	58	19	56.8	10
GPLL1204		G1/2	21	8.5	23	29.5	59.5	22	53.4	10

### GPHW Series



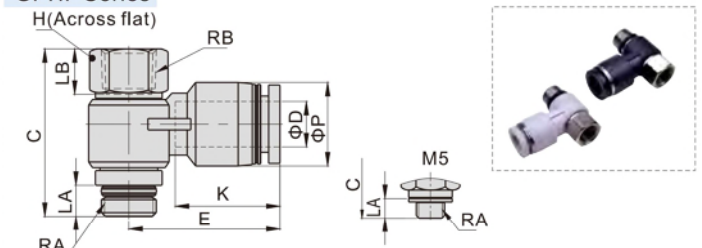
Model\Item	ΦD	R	ΦP	L	C	K	EA	EB	DC	H	Weight(g)	PCS/bag
GPHW401	4	G1/8	9	5.5	38	14	20.5	14.5	13	11	19	10
GPHW601		G1/8	12.5	5.5	38	16.5	23.0	15	13	11	21	10
GPHW602	6	G1/4	12.5	6.5	43.5	16.5	25.0	17.5	15.5	14	40.2	10
GPHW603		G3/8	12.5	7	50	16.5	27.0	20	16.5	19	69.2	5
GPHW801	8	G1/8	15	5.5	40.5	18.5	26.5	16.5	15.5	11	23.6	10
GPHW802		G1/4	15	6.5	43.5	18.5	28.5	18.5	15.5	14	40.8	10
GPHW803	10	G3/8	15	7	50	18.5	29.5	20	16.5	19	70.4	5
GPHW804		G1/2	15	8.5	61	18.5	32	24.5	22	24	134.8	5
GPHW1002	10	G1/4	18	6.5	46.5	21	31	20	18.5	14	47	10
GPHW1003		G3/8	18	7	55	21	33	21	22	19	87.5	5
GPHW1004	12	G1/2	18	8.5	61	21	35.5	25	22	24	137.7	5
GPHW1203		G3/8	21	7	55	23	36	23	22	19	86.4	5
GPHW1204	12	G1/2	21	8.5	61	23	38	26.5	22	24	147.5	5

### GPH Series



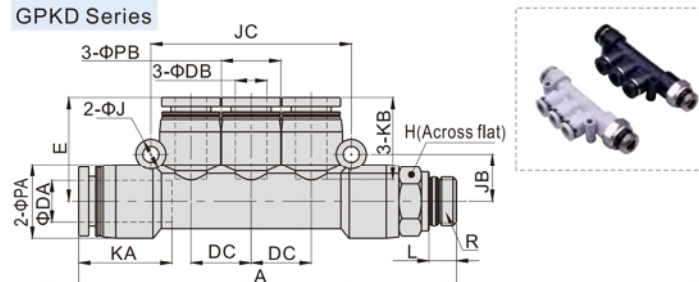
Model\Item	ΦD	R	ΦP	L	C	K	E	H	Weight(g)	PCS/bag
GPH4M5	4	M5×0.8	9	3.5	17	14	19	8	5.8	10
GPH401		G1/8	9	5.5	25	14	20.5	11	12.8	10
GPH6M5	6	M5×0.8	12.5	3.5	17	16.5	23.5	8	6.8	10
GPH601		G1/8	12.5	5.5	25	16.5	23	11	14	10
GPH602	8	G1/4	12.5	6.5	28	16.5	25	14	25.4	10
GPH603		G3/8	12.5	7	33	16.5	27	19	50.2	5
GPH801	8	G1/8	15	5.5	25	18.5	26.5	11	14.7	10
GPH802		G1/4	15	6.5	28	18.5	28.5	14	26.4	10
GPH803	10	G3/8	15	7	33	18.5	29.5	19	49.4	5
GPH804		G1/2	15	8.5	39	18.5	32	24	89	5
GPH1002	10	G1/4	18	6.5	28	21	31	14	27.7	10
GPH1003		G3/8	18	7	33	21	33	19	51.1	5
GPH1004	12	G1/2	18	8.5	39	21	35.5	24	88.5	5
GPH1203		G3/8	21	7	33	23	36	19	53	5
GPH1204	12	G1/2	21	8.5	39	23	38	24	92.8	5

### GPHF Series



Model\Item	ΦD	RA	RB	ΦP	LA	LB	C	K	E	H	Weight(g)	PCS/bag
GPHF4M5	4	M5×0.8	M5×0.8	9	3.5	6	20	14	19	8	6.2	10
GPHF401		G1/8	G1/8	9	5.5	8	29.5	14	20.5	12	12.9	10
GPHF6M5	6	M5×0.8	M5×0.8	12.5	3.5	6	20	16.5	23.5	8	7.1	10
GPHF601		G1/8	G1/8	12.5	5.5	8	29.5	16.5	23	12	13.9	10
GPHF602	8	G1/4	G1/4	12.5	6.5	11	35	16.5	25	17	30.3	10
GPHF603		G3/8	G3/8	12.5	7	12	40	16.5	27	19	44.2	5
GPHF801	8	G1/8	G1/8	15	5.5	8	29.5	18.5	26.5	12	15	10
GPHF802		G1/4	G1/4	15	6.5	11	35	18.5	28.5	17	30.7	10
GPHF803	10	G3/8	G3/8	15	7	12	40	18.5	29.5	19	44.8	5
GPHF804		G1/2	G1/2	15	8.5	13.5	47.5	18.5	32	24	84.7	5
GPHF1002	10	G1/4	G1/4	18	6.5	11	35	21	31	17	32	10
GPHF1003		G3/8	G3/8	18	7	12	40	21	33	19	46.2	5
GPHF1004	12	G1/2	G1/2	18	8.5	13.5	47.5	21	35.5	24	86.1	5
GPHF1203		G3/8	G3/8	21	7	12	40	23	36	19	48.4	5
GPHF1204	12	G1/2	G1/2	21	8.5	13.5	47.5	23	38	24	89.7	5

### GPKD Series



Model\Item	ΦDA	ΦDB	R	L	A	ΦPA	ΦPB	KA	KB
GPKD6-401	6	4	G1/8	5.5	66	12.5	9	16.5	14
GPKD8-602	8	6	G1/4	6.5	77	15	12.5	18.5	16.5
GPKD10-803	10	8	G3/8	7	89.5	18	15	21	18.5

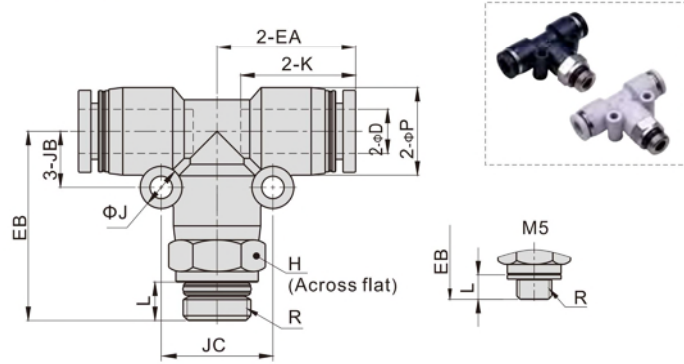
Model\Item	ΦJ	JB	JC	DC	E	H	Weight(g)	PCS/bag
GPKD6-401	3.2	8	34	10	17.5	12	14.9	2
GPKD8-602	3.2	9.5	40	12	21	14	24.9	2
GPKD10-803	4.3	11	48	14.5	24	19	39	2



# Accessories—One-Touch Fittings

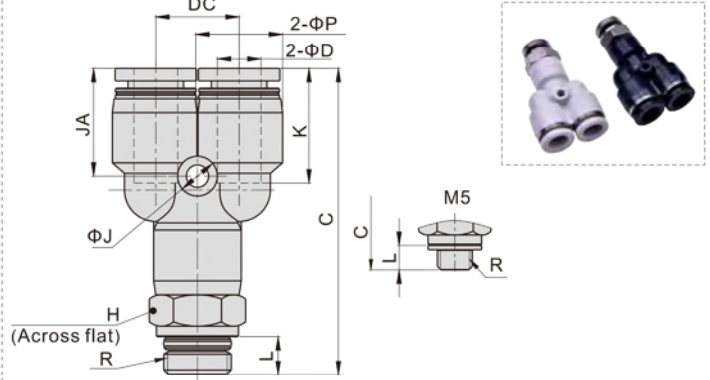
## One-touch fittings—threaded type

### GPEB Series



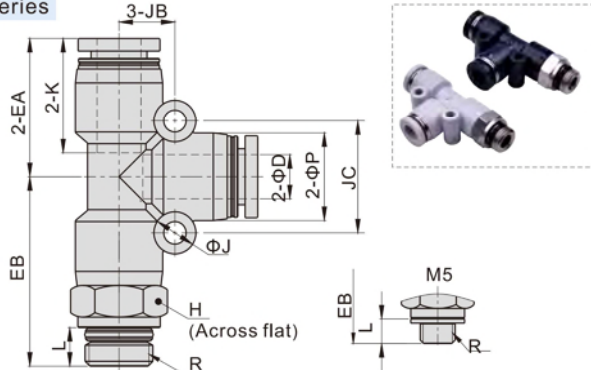
Model\Item	φD	R	φP	L	K	EA	EB	φJ	JB	JC	H	Weight(g)	PCS/bag
GPEB4M5	M5×0.8	9	3.5	14	17	21	21	3.2	6.5	13	9	6.8	10
GPEB401	4	G1/8	9	5.5	14	17	23	3.2	6.5	13	10	7.9	10
GPEB402		G1/4	9	6.5	14	17	26	3.2	6.5	13	14	13.9	10
GPEB6M5	M5×0.8	12.5	3.5	16.5	20	23.5	3.2	8	16	12	11.2	10	
GPEB601	6	G1/8	12.5	5.5	16.5	20	27	3.2	8	16	12	13.3	10
GPEB602		G1/4	12.5	6.5	16.5	20	28.5	3.2	8	16	14	17	10
GPEB603		G3/8	12.5	7	16.5	20	30	3.2	8	16	19	26.1	10
GPEB801		G1/8	15	5.5	18.5	23	30	4.3	9.5	19	14	18.2	10
GPEB802		G1/4	15	6.5	18.5	23	31	4.3	9.5	19	14	19.7	10
GPEB803		G3/8	15	7	18.5	23	32.5	4.3	9.5	19	19	29	10
GPEB804		G1/2	15	8.5	18.5	23	35	4.3	9.5	19	22	37.7	10
GPEB1001		G1/8	18	5.5	21	26.5	33.5	4.3	11	22	17	26.5	10
GPEB1002		G1/4	18	6.5	21	26.5	34.5	4.3	11	22	17	27.6	10
GPEB1003		G3/8	18	7	21	26.5	35.5	4.3	11	22	19	32.7	10
GPEB1004		G1/2	18	8.5	21	26.5	38	4.3	11	22	22	42.1	10
GPEB1202		G1/4	21	6.5	23	30	39	4.3	13	26	21	48	10
GPEB1203		G3/8	21	7	23	30	40	4.3	13	26	21	49.1	10
GPEB1204		G1/2	21	8.5	23	30	41.5	4.3	13	26	22	54	10

### GPYB Series



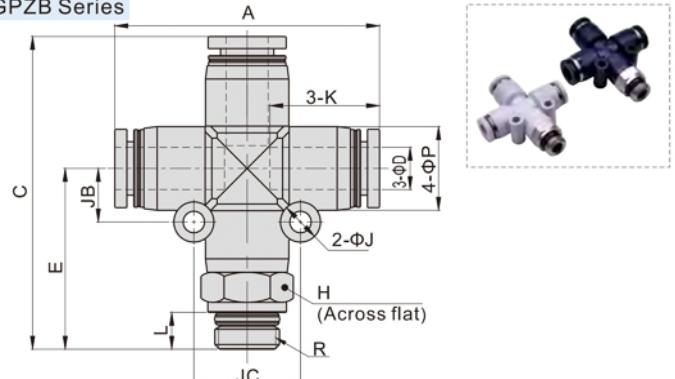
Model\Item	φD	R	φP	L	C	K	φJ	JA	DC	H	Weight(g)	PCS/bag
GPYB4M5	M5×0.8	9	3.5	35.5	14	3.2	13	10	9	6.7	10	10
GPYB401	4	G1/8	9	5.5	37.5	14	3.2	13	10	10	8.1	10
GPYB402		G1/4	9	6.5	40.5	14	3.2	13	10	14	9.2	10
GPYB6M5	M5×0.8	12.5	3.5	40.5	16.5	3.2	15.5	12	12	11.1	10	
GPYB601	6	G1/8	12.5	5.5	44	16.5	3.2	15.5	12	12	13.5	10
GPYB602		G1/4	12.5	6.5	45.5	16.5	3.2	15.5	12	14	16.6	10
GPYB603		G3/8	12.5	7	47.0	16.5	3.2	15.5	12	19	25.8	10
GPYB801		G1/8	15	5.5	50	18.5	3.2	17	14.5	14	19.6	10
GPYB802		G1/4	15	6.5	50.5	18.5	3.2	17	14.5	14	20.4	10
GPYB803		G3/8	15	7	52	18.5	3.2	17	14.5	19	28.5	10
GPYB804		G1/2	15	8.5	55	18.5	3.2	17	14.5	22	37.5	10
GPYB1001		G1/8	18	5.5	56	21	4.3	19.5	18	17	27.2	10
GPYB1002		G1/4	18	6.5	57	21	4.3	19.5	18	17	27.9	10
GPYB1003		G3/8	18	7	58	21	4.3	19.5	18	19	33.3	10
GPYB1004		G1/2	18	8.5	60.5	21	4.3	19.5	18	22	42.1	10
GPYB1202		G1/4	21	6.5	64	23	4.3	21	20.5	21	25.7	10
GPYB1203		G3/8	21	7	65	23	4.3	21	20.5	21	49.7	10
GPYB1204		G1/2	21	8.5	66	23	4.3	21	20.5	22	53.5	10

### GPED Series



Model\Item	φD	R	φP	L	K	EA	EB	φJ	JB	JB	H	Weight(g)	PCS/bag
GPED4M5	M5×0.8	9	3.5	14	17	21	21	3.2	6.5	13	9	6.8	10
GPED401	4	G1/8	9	5.5	14	17	23	3.2	6.5	13	10	7.9	10
GPED402		G1/4	9	6.5	14	17	26	3.2	6.5	13	14	13.9	10
GPED6M5	M5×0.8	12.5	3.5	16.5	20	23.5	3.2	8	16	12	11.2	10	
GPED601	6	G1/8	12.5	5.5	16.5	20	27	3.2	8	16	12	13.3	10
GPED602		G1/4	12.5	6.5	16.5	20	28.5	3.2	8	16	14	17	10
GPED603		G3/8	12.5	7	16.5	20	30	3.2	8	16	19	26.1	10
GPED801		G1/8	15	5.5	18.5	23	30	4.3	9.5	19	14	18.2	10
GPED802		G1/4	15	6.5	18.5	23	31	4.3	9.5	19	14	19.7	10
GPED803		G3/8	15	7	18.5	23	33	4.3	9.5	19	19	29	10
GPED804		G1/2	15	8.5	18.5	23	35	4.3	9.5	19	22	37.7	10
GPED1001		G1/8	18	5.5	21	26.5	34	4.3	11	22	17	26.5	10
GPED1002		G1/4	18	6.5	21	26.5	35	4.3	11	22	17	27.6	10
GPED1003		G3/8	18	7	21	26.5	36	4.3	11	22	19	32.7	10
GPED1004		G1/2	18	8.5	21	26.5	38	4.3	11	22	22	42.1	10
GPED1202		G1/4	21	6.5	23	30	39	4.3	13	26	21	48	10
GPED1203		G3/8	21	7	23	30	40	4.3	13	26	21	49.1	10
GPED1204		G1/2	21	8.5	23	30	41.5	4.3	13	26	22	54	10

### GPZB Series






Model\Item	φD	R	L	A	E	C	φP	K	φJ	JB	JC	H	Weight(g)	PCS/bag
GPZB601		G1/8	5.5		27	47						12	15	10
GPZB602	6	G1/4	6.5	39.5	28.5	48.5	12.5	16.5	3.2	8	16	14	18.8	10
GPZB603		G3/8	7		30	50						19	27.8	10
GPZB801		G1/8	5.5		30	53						14	20.7	10
GPZB802		G1/4	6.5		31	54						14	22.2	10
GPZB803		G3/8	7	46	32.5	55.5	15	18.5	4.3	9.5	19	19	30.7	10
GPZB804		G1/2	8.5		35	58						22	40.2	10
GPZB1002		G1/4	6.5		35	61						17	31.9	10
GPZB1003	10	G3/8	7	52.5	36	62	18	21	4.3	11	22	19	37.3	10
GPZB1004		G1/2	8.5		38	64.5						22	45.9	10
GPZB1203		G3/8	7		40	70						21	54.4	10
GPZB1204	12	G1/2	8.5	59.5	41.5	71.5	21	23	4.3	13	26	22	62.1	10

## Metal one-touch fittings

### Ordering code

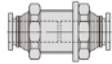
**GBPC 6 01**

① ② ③

① Model	② Port size	③ Thread connection
GBPC: Metal male connector (G thread) 	4 : Φ4mm 6 : Φ6mm 8 : Φ8mm 10 : Φ10mm 12 : Φ12mm	M5 : M5X0.8 01 : G1/8 02 : G1/4 03 : G3/8 04 : G1/2
GBPCF: Metal female connector (G thread) 		
GBPMF: Metal bulkhead female connector(G thread) 		

### GBPM 6

① ②

① Model	② Port size
GBPM: Metal bulkhead connector (G thread) 	4 : Φ4mm 6 : Φ6mm 8 : Φ8mm 10 : Φ10mm 12 : Φ12mm

### Specification

Operating pressure range	0~9kgf/cm <sup>2</sup> (0~0.9MPa)
Negative pressure	-750mmHg(10Torr)
Proof pressure	1.5MPa
Ambient and fluid temperature (°C)	0~150
Applicable tubing	Soft nylon or polyurethane
Color	Gray/black

Note: The temperature resistance level of the tubing should be confirmed first when used in high temperature environments.

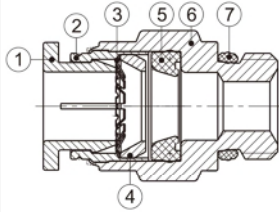
### Product feature

1. High flow capacity; The flow rate of these fittings is equivalent to that of the adaptable tubes.
2. Inserting or removal tubing is simple and convenient, and the connecting portion is reliable and durable.
3. Thread is attached with a sealing gasket, to ensure no leakage of the threaded connection part.
4. The fitting metal body adopts a special nickel-plating process, which has good corrosion resistance.
5. Metal fittings can be used in high temperature environment.

### Table for interface port and tube O.D.

Product series	Thread type	Port size				
		Φ4	Φ6	Φ8	Φ10	Φ12
GBPC	M5	•	•			
	G1/8	•	•	•	•	
	G1/4	•	•	•	•	•
	G3/8		•	•	•	•
	G1/2				•	•
GBPCF	M5	•	•			
	G1/8	•	•	•		
	G1/4		•	•	•	
	G3/8				•	•
GBPMF	M5					
	G1/8	•	•	•		
	G1/4		•	•	•	
	G3/8				•	•
GBPM		•	•	•	•	•

### Inner structure

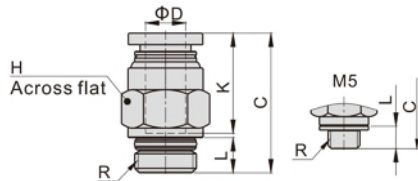
GBPC Series		NO.	Name	Material
	1	1	Metal connector	Brass
	2	2	Locating ring	Aluminum alloy
	3	3	Spring gasket	Stainless steel
	4	4	Locating seat	Aluminum alloy
	5	5	Special shape O-ring	Viton
	6	6	Straight connector body	Brass
	7	7	O-ring	NBR

# Accessories—One-Touch Fittings

## Metal one-touch fittings

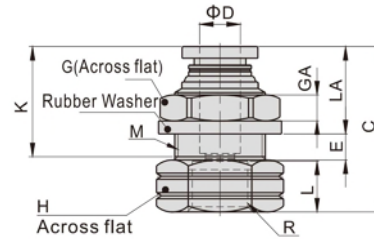
### Dimensions

#### GBPC Series



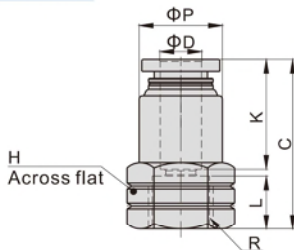
Model\Item	ΦD	R	L	C	K	H	Weight(g)	PCS/bag
GBPC4M5	4	M5X0.8	3.5	19.5	14	9	5.5	10
GBPC401		G1/8	5.5	16.5	13	10	7.9	10
GBPC402		G1/4	6.5	17	13	14	8.7	10
GBPC6M5	6	M5X0.8	3.5	22	16	12	10.1	10
GBPC601		G1/8	5.5	21.5	16	12	13.8	10
GBPC602		G1/4	6.5	20.5	16	14	15.1	10
GBPC603	8	G3/8	7	20	16	19	26	10
GBPC801		G1/8	5.5	25.5	18	14	13.3	10
GBPC802		G1/4	6.5	24.5	18	14	13.5	10
GBPC803	10	G3/8	7	21.5	18	19	25.9	10
GBPC1001		G1/8	5.5	28.5	20.5	17	17.2	10
GBPC1002		G1/4	6.5	28	20.5	17	19.8	10
GBPC1003	12	G3/8	7	24	20.5	19	32.3	10
GBPC1004		G1/2	8.5	22.5	19.5	22	31.9	10
GBPC1202		G1/4	6.5	32.5	22	21	29.4	10
GBPC1203	12	G3/8	7	30	22	21	29.3	10
GBPC1204		G1/2	8.5	27	22	22	37.2	10

#### GBPMF Series



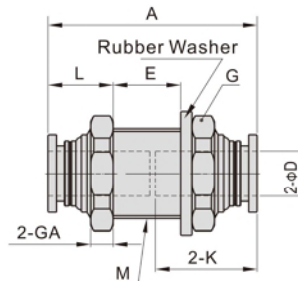
Model\Item	ΦD	R	M	L	C	K	LA	E	GA	G	H	Weight(g)	PCS/bag
GBPMF401	4	G1/8	M12X1	8	25	14	12	4	4	14	14	7.6	10
GBPMF601	6	G1/8	M14X1	8	25	16	12	5	4	17	17	10.4	10
GBPMF602		G1/4	M14X1	11	30	16	12	5	4	17	17	12.2	10
GBPMF801	8	G1/8	M16X1	8	27	18	13	5.5	4	19	19	13.9	10
GBPMF802		G1/4	M16X1	11	31.5	18	13	5.5	4	19	19	15.3	10
GBPMF1002	10	G1/4	M20X1	11	34.5	20.5	14	7.5	5	24	22	26.2	10
GBPMF1003		G3/8	M20X1	12	35.5	20.5	14	7.5	5	24	22	24.4	10
GBPMF1203	12	G3/8	M22X1	12	37	22	15	8	5	27	24	32.6	10
GBPMF1204		G1/2	M22X1	13.5	38.5	22	15	8	5	27	25	31.8	10

#### GBPCF Series



Model\Item	ΦD	R	ΦP	L	C	K	H	Weight(g)	PCS/bag
GBPCF4M5	4	M5X0.8	9	5	21	14	10	3.5	10
GBPCF401		G1/8	9.5	8	23	14	14	5.3	10
GBPCF6M5	6	M5X0.8	12	5	21	16	12	5.6	10
GBPCF601		G1/8	12.5	8	25	16	14	7.2	10
GBPCF602	8	G1/4	12.5	11	28	16	17	9.2	10
GBPCF801		G1/8	14	8	27	18	14	7.1	10
GBPCF802	10	G1/4	14.5	11	30	18	17	10.6	10
GBPCF1002		G1/4	17	11	32.5	20.5	17	13.5	10
GBPCF1003	12	G3/8	18	12	33.5	20.5	21	17.5	10
GBPCF1203		G3/8	21	12	35	22	21	22	10
GBPCF1204	12	G1/2	21	13.5	36.5	22	21	24.9	10

#### GBPM Series



Model\Item	ΦD	M	A	K	L	E	G(Across flat)	GA	Weight(g)	PCS/bag
GBPM4	4	M12X1	28.5	14	10	7	14	4	6.4	10
GBPM6	6	M14X1	33	16	10	11	17	4	16.4	10
GBPM8	8	M16X1	37	18	11	13	19	4	15.8	10
GBPM10	10	M20X1	41.5	20.5	12	16	24	5	28.9	10
GBPM12	12	M22X1	45	22	13	17.5	27	6	40.3	10