

GPTL Mini series

Ordering code

GPTL 6 M5 A □ - M



① Model	② Port size	③ Thread connection	④ Control method	⑤ Standard color		⑥ Style
GPTL: Speed controller (Push lock) (G Thread) 	4 : Φ4mm 6 : Φ6mm	M5 : M5X0.8 01 : G1/8	A: Meter-out 	Standard color	Specification	M: Mini type
			B: Meter-in 	Blank: Gray D: Black	Release button: Gray Body: Gray Release button: Black Body: Black	

Specification

Operating pressure range	0~10kgf/cm²(0~1.0MPa)
Negative pressure	-750mmHg(10Torr)
Proof pressure	1.5MPa
Ambient and fluid temperature (°C)	-20~70
Applicable tubing	Soft nylon or polyurethane
Color	Gray/black

Product feature

1. Compare with standard speed controller, smaller size, lighter weight, suitable for more occasions.
2. Effectively control the action speed and the pressure signal transmission from pneumatic device.
3. Simple push-lock, operation.
4. Adjust quickly, easily and accurately.
5. Excellent flow rate characteristic, high sensitivity and easy to adjust.
6. Options of Meter-out and meter-in, applicable for every type actuator.
7. Effectively prevent from corrosion and pollution by nickel plated brass.

Symbol



Selection, Installation and Operation

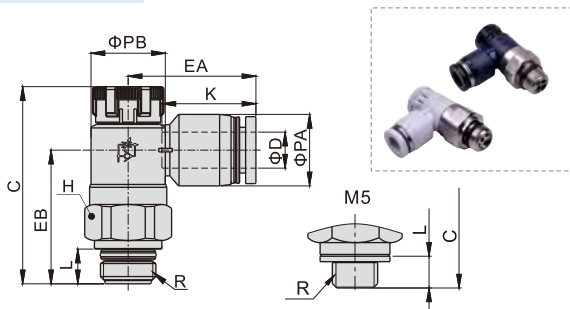
1. The rotation torque of the push-lock speed controller cap should not be too large to avoid damage. It is recommended to use the torque below.

Thread size	Recommended torque(N.m)
M5	0.05
G1/8	0.08

2. Push-lock speed controller installation instructions is the same as general one. Please refer to general type for specific content.

Dimensions

GPTL Mini series



Model/Item [Note1]	ΦD	R	ΦPA	ΦPB	L	C		K	EA	EB	H	Weight (g)	PCS/bag
						Pull	Push						
GPTL4M5□-M	4	M5×0.8	8.5	9	3.5	29.5	28	12.5	16.5	19	9	5	2
GPTL401□-M													
GPTL6M5□-M	6	M5×0.8	10.5	9	3.5	29.5	28	13.5	19.5	19	9	6.2	2
GPTL601□-M													

[Note1] "□" stands for A or B. A indicates meter-out type while B indicates meter-in type. The two types are with the same overall dimension.