

# FFXX

# Floating Bearing Flange



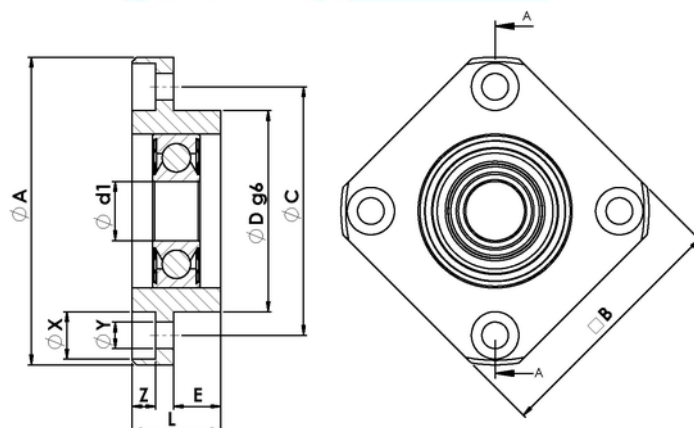
## 1. Features

- A deep groove ball bearing for absorbing radial forces
- Black coated flange with hole to hold the ball bearing in radial position.
- Circlip

## 2. Description

In the floating bearing flange, a spindle is held radially by the use of a deep groove ball bearing. When the spindle is secured with the retaining ring supplied, the spindle is held radially in position while the axial position remains variable. Axial fixation is only possible through combination with a locating bearing on the opposite side.

## 3. Mechanical Dimensions



Art.No. 0510-003-	Name	Dimensions in mm									
		d1	A	B	C	D	E	L	X	Y	Z
0205	FF10	8	43	35	35	28	5	12	6,5	3,4	4
0201	FF12	10	52	42	42	34	8	15	8	4,5	4
0207	FF15	15	63	52	50	40	8	17	9,5	5,5	6
Tolerances			+0,2 -0,2	+0,5 -0,5	+0,2 -0,2	g6	+0,2 -0,2	+0,3 -0,3	+0,1 -0,1	+0,1 -0,1	+0,2 -0,2

## 4. Scope of Delivery

- Bearing flange, pre-assembled with deep groove ball bearing
- One Circlip to fix

## 5. Further Information

	Ball Bearings Used	Suitable for
FF10	608ZZ	Ball Spindle SFU 1204, Art.No.: 1001-204-XXXX
FF12	6000ZZ	Ball Spindle SFU 1605-1610 Art.No.: 1001-605-XXXX; 1001-610-XXXX
FF15	6002ZZ	Ball Spindle SFU 2005-2010 Art.No.: 1002-005-XXXX; 1002-010-XXXX;