



Lift / Shaft Bearings

Standard and Heavy Duty

	Standard	Heavy Duty
without flange	- ST...	- ST...B
with round flange	- STF...	- STF...B
with squared flange	- STK...	- STK...B
with two side cut flange	- STH...	- STH...B

DOLD Mechatronik GmbH
Schleifmattstr. 2 – D-77716 Haslach
Phone: +49 7832 / 946 980

info@dold-mechatronik.de
www.dold-mechatronik.de



Table of Content

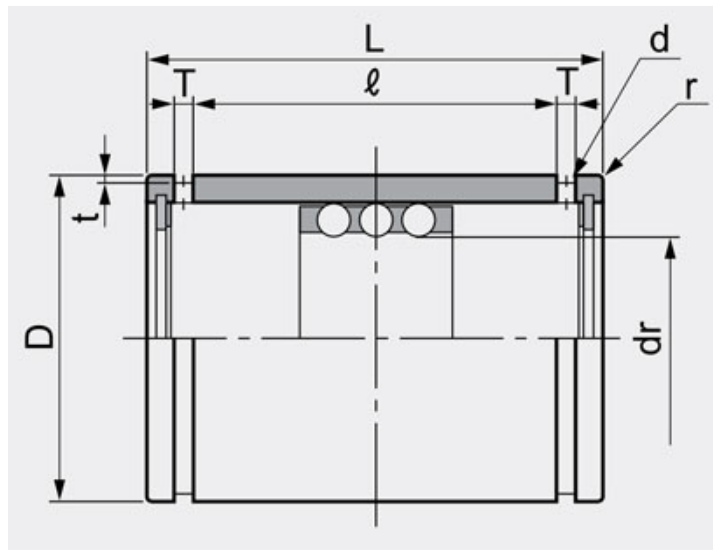
	<p>Lift / Shaft Bearings - Standard ST...</p> <ul style="list-style-type: none"> • Technical Data • Ordering Information 	<p>Page 3-4</p>
	<p>Lift / Shaft Bearings - Heavy Duty ST...B</p> <ul style="list-style-type: none"> • Technical Data • Ordering Information  	<p>Page 5-6</p>
	<p>Round Flange Lift / Shaft Bearings - Standard STF...</p> <ul style="list-style-type: none"> • Technical Data • Ordering Information 	<p>Page 7-8</p>
	<p>Round Flange Lift / Shaft Bearings - Heavy Duty STF...B</p> <ul style="list-style-type: none"> • Technical Data • Ordering Information  	<p>Page 9-10</p>
	<p>Squared Flange Lift / Shaft Bearings - Standard STK...</p> <ul style="list-style-type: none"> • Technical Data • Ordering Information 	<p>Page 11-12</p>
	<p>Squared Flange Lift / Shaft Bearings - Heavy Duty STK...B</p> <ul style="list-style-type: none"> • Technical Data • Ordering Information  	<p>Page 13-14</p>
	<p>Two Side Cut Flange Lift / Shaft Bearings - Standard STH...</p> <ul style="list-style-type: none"> • Technical Data • Ordering Information 	<p>Page 15-16</p>
	<p>Two Side Cut Flange Lift / Shaft Bearings - Heavy Duty STH...B</p> <ul style="list-style-type: none"> • Technical Data • Ordering Information  	<p>Page 17-18</p>

ST...



Artikel-Nr. / Bezeichnung / Item-No. / Type	Wellen-Ø / Shaft-Ø	Anzahl Kugelreihen / No. of Ball Rows	Max. Hub / Max. Stroke (mm)	Tragzahl / Basic load rating		Gewicht / Weight (g)
				Dynamisch Dynamic C N	Statisch Static Co N	
ST6	Ø6	3	20	147	216	8.9
ST8	Ø8	3	24	245	343	15.6
ST10	Ø10	3	30	461	637	28.8
ST12	Ø12	3	32	813	1070	42
ST16	Ø16	3	40	990	1180	71
ST20	Ø20	3	50	1170	1260	99
ST25	Ø25	3	50	1330	1490	117
ST30	Ø30	3	82	2990	3140	205
ST35	Ø35	3	92	3140	3530	329
ST40	Ø40	3	108	4120	4800	516
ST50	Ø50	3	138	5540	6910	827
ST60	Ø60	3	138	5980	8230	1240
ST80	Ø80	3	132	7840	12200	2050
ST100	Ø100	3	132	8430	14700	2440

ST...



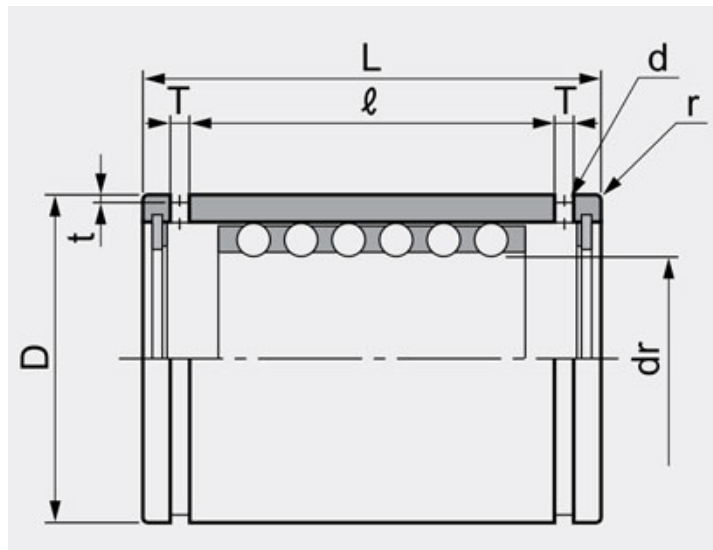
Artikel-Nr. / Bezeichnung / Item-No. / Type	Maße und Toleranzen / Dimensions and tolerances										
	dr		D		L		l	T	t	d	r
	mm	Tol. μm	mm	Tol. μm	mm	Tol. μm	mm	mm	mm	mm	mm
ST6	6	+22 / +13	12	0 / -11	20	0 / -200	11.3	1.1	0.5	1	0.5
ST8	8	+22 / +13	15	0 / -11	24	0 / -200	17.1	1.5	0.5	1.2	0.5
ST10	10	+22 / +13	19	0 / -13	30	0 / -200	22.7	1.5	0.5	1.2	0.5
ST12	12	+27 / +16	23	0 / -13	32	0 / -200	24.5	1.5	0.5	1.2	0.5
ST16	16	+27 / +16	28	0 / -13	37	0 / -200	29.1	1.5	0.7	1.3	0.5
ST20	20	+33 / +20	32	0 / -13	45	0 / -200	35.8	2	0.7	1.5	0.5
ST25	25	+33 / +20	37	0 / -16	45	0 / -200	35.8	2	0.7	1.6	1
ST30	30	+33 / +20	45	0 / -16	65	0 / -300	53.5	2.5	1	2	1
ST35	35	+41 / +25	52	0 / -19	70	0 / -300	58.5	2.5	1	2	1.5
ST40	40	+41 / +25	60	0 / -19	80	0 / -300	68.3	2.5	1	2	1.5
ST50	50	+41 / +25	72	0 / -19	100	0 / -300	86.4	3	1	2.5	1.5
ST60	60	+49 / +30	85	0 / -22	100	0 / -300	86.4	3	1	2.5	2
ST80	80	+49 / +30	110	0 / -22	100	0 / -400	86	3	1.5	2.5	2
ST100	100	+58 / +36	130	0 / -25	100	0 / -400	86	3	1.5	2.5	2

ST...B



Artikel-Nr. / Bezeichnung / Item-No. / Type	Wellen-Ø / Shaft-Ø	Anzahl Kugelnreihen / No. of Ball Rows	Max. Hub / Max. Stroke (mm)	Tragzahl / Basic load rating		Gewicht / Weight (g)
				Dynamisch Dynamic C N	Statisch Static Co N	
ST8B	Ø8	6	8	490	549	16.8
ST10B	Ø10	6	8	931	1030	31.2
ST12B	Ø12	6	8	1630	1720	46
ST16B	Ø16	6	16	1910	1980	75
ST20B	Ø20	6	20	2060	2320	106
ST25B	Ø25	6	20	2170	2670	125
ST30B	Ø30	6	44	4800	6270	220
ST35B	Ø35	6	54	5050	7060	346
ST40B	Ø40	6	66	6710	9560	540
ST50B	Ø50	6	88	8970	13800	862
ST60B	Ø60	6	88	9700	16500	1290
ST80B	Ø80	6	76	12700	24300	2110
ST100B	Ø100	6	76	13700	29400	2520

ST...B



Artikel-Nr. / Bezeichnung / Item-No. / Type	Maße und Toleranzen / Dimensions and tolerances										
	dr		D		L		l	T	t	d	r
	mm	Tol. μm	mm	Tol. μm	mm	Tol. μm	mm	mm	mm	mm	mm
ST8B	8	+22 / +13	15	0 / -11	24	0 / -200	17.1	1.5	0.5	1.2	0.5
ST10B	10	+22 / +13	19	0 / -13	30	0 / -200	22.7	1.5	0.5	1.2	0.5
ST12B	12	+27 / +16	23	0 / -13	32	0 / -200	24.5	1.5	0.5	1.2	0.5
ST16B	16	+27 / +16	28	0 / -13	37	0 / -200	29.1	1.5	0.7	1.3	0.5
ST20B	20	+33 / +20	32	0 / -16	45	0 / -200	35.8	2	0.7	1.5	0.5
ST25B	25	+33 / +20	37	0 / -16	45	0 / -300	35.8	2	0.7	1.6	1
ST30B	30	+33 / +20	45	0 / -16	65	0 / -300	53.5	2.5	1	2	1
ST35B	35	+41 / +25	52	0 / -19	70	0 / -300	58.5	2.5	1	2	1.5
ST40B	40	+41 / +25	60	0 / -19	80	0 / -300	68.3	2.5	1	2	1.5
ST50B	50	+41 / +25	72	0 / -19	100	0 / -300	86.4	3	1	2.5	1.5
ST60B	60	+49 / +30	85	0 / -22	100	0 / -300	86.4	3	1	2.5	2
ST80B	80	+49 / +30	110	0 / -22	100	0 / -400	86	3	1.5	2.5	2
ST100B	100	+58 / +36	130	0 / -25	100	0 / -400	86	3	1.5	2.5	2

Round Flange Lift / Shaft Bearings - Standard

STF...



Artikel-Nr. / Bezeichnung / Item-No. / Type	Wellen-Ø / Shaft-Ø	Anzahl Kugelreihen / No. of Ball Rows	Max. Hub / Max. Stroke (mm)	Tragzahl / Basic load rating		Gewicht / Weight (g)
				Dynamisch Dynamic C N	Statisch Static Co N	
STF6 *	Ø6	3	20	147	216	25
STF8 *	Ø8	3	24	245	343	37
STF10 *	Ø10	3	30	461	637	70
STF12	Ø12	3	32	813	1070	87
STF13 *	Ø13	3	32	813	1070	87
STF16	Ø16	3	40	990	1180	121
STF20	Ø20	3	50	1170	1260	189
STF25	Ø25	3	50	1330	1490	237
STF30	Ø30	3	82	2990	3140	325
STF35 *	Ø35	3	92	3140	3530	580
STF40 *	Ø40	3	108	4120	4800	1016
STF50 *	Ø50	3	138	5540	6910	1427
STF60 *	Ø60	3	138	5980	8230	2340
STF80 *	Ø80	3	132	7840	12200	3350
STF100 *	Ø100	3	132	8430	14700	4440

* on request

Subject to errors and technical changes

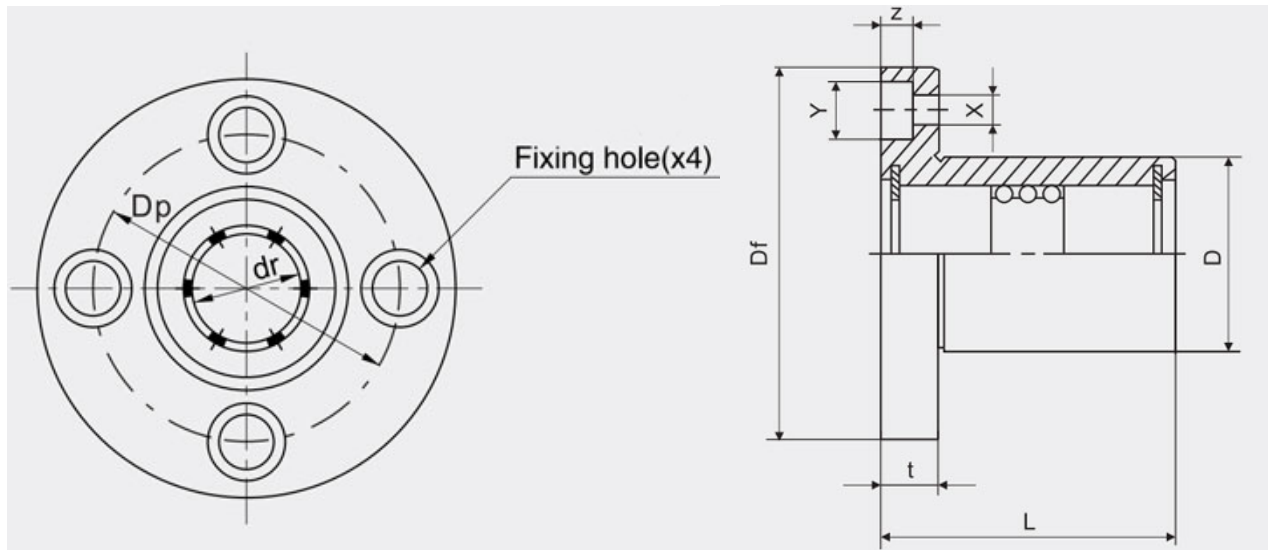
Current prices can be found in the
DOLD Mechatronics web shop.

info@dold-mechatronik.de
www.dold-mechatronik.de

Page 7
DOLD Mechatronik GmbH
Schleifmattstr. 2 – D-77716 Haslach
Phone: +49 7832 / 946 980

Round Flange Lift / Shaft Bearings - Standard

STF...



Artikel-Nr. / Bezeichnung / Item-No. / Type	Maße und Toleranzen / Dimensions and tolerances											
	dr		D		L		Df	t	Dp	X	Y	Z
	mm	Tol. μm	mm	Tol. μm	mm	Tol. μm	mm	mm	mm	mm	mm	mm
STF6 *	6	+22 / +13	12	0 / -13	20	± 300	28	5	20	3.5	6	3.1
STF8 *	8	+22 / +13	15	0 / -13	24	± 300	32	5	24	3.5	6	3.1
STF10 *	10	+22 / +13	19	0 / -16	30	± 300	40	6	29	4.5	7.5	4.1
STF12	12	+27 / +16	23	0 / -16	32	± 300	43	6	33	4.5	7.5	4.1
STF13 *	13	+27 / +16	23	0 / -16	32	± 300	43	6	33	4.5	7.5	4.1
STF16	16	+27 / +16	28	0 / -16	37	± 300	48	6	38	4.5	7.5	4.1
STF20	20	+33 / +20	32	0 / -19	45	± 300	54	8	43	5.5	9	5.1
STF25	25	+33 / +20	37	0 / -19	45	± 300	62	8	51	5.5	9	5.1
STF30	30	+33 / +20	45	0 / -19	65	0 / -300	74	10	60	6.6	11	6.1
STF35 *	35	+41 / +25	52	0 / -22	70	0 / -300	82	10	67	6.6	11	6.1
STF40 *	40	+41 / +25	60	0 / -22	80	0 / -300	96	13	78	9	14	8.1
STF50 *	50	+41 / +25	72	0 / -22	100	0 / -400	108	13	90	9	14	8.1
STF60 *	60	+49 / +30	85	0 / -25	100	0 / -400	128	18	106	11	17	11.1
STF80 *	80	+49 / +30	110	0 / -25	100	0 / -400	154	18	132	11	17	11.1
STF100 *	100	+58 / +36	130	0 / -29	100	0 / -400	180	20	155	14	20	13.1

* on request

Subject to errors and technical changes

Current prices can be found in the
DOLD Mechatronics web shop.

info@dold-mechatronik.de
www.dold-mechatronik.de

Page 8
DOLD Mechatronik GmbH
Schleifmattstr. 2 – D-77716 Haslach
Phone: +49 7832 / 946 980

Round Flange Lift / Shaft Bearings - Heavy Duty

STF...B

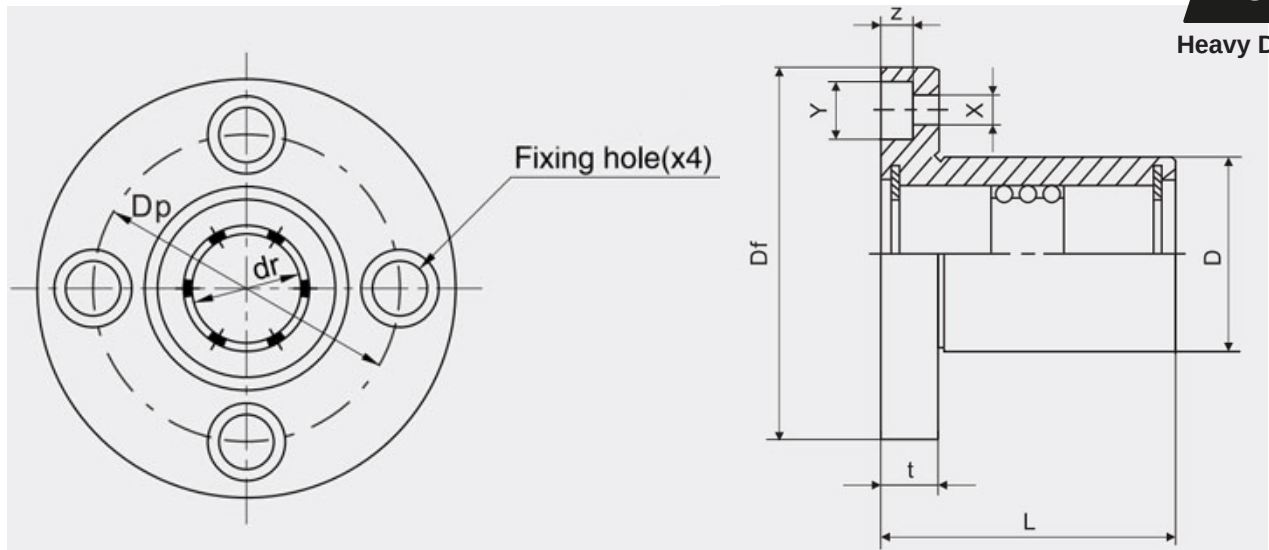


Artikel-Nr. / Bezeichnung / Item-No. / Type	Wellen-Ø / Shaft-Ø	Anzahl Kugelsreihen / No. of Ball Rows	Max. Hub / Max. Stroke (mm)	Tragzahl / Basic load rating		Gewicht / Weight (g)
				Dynamisch Dynamic C N	Statisch Static Co N	
STF6B *	Ø6	6	8	312	358	26
STF8B *	Ø8	6	8	490	549	38.2
STF10B *	Ø10	6	8	931	1030	72.4
STF12B	Ø12	6	8	1630	1720	91
STF13B *	Ø13	6	8	1630	1720	91
STF16B	Ø16	6	16	1910	1980	125
STF20B	Ø20	6	20	2060	2320	196
STF25B	Ø25	6	20	2170	2670	245
STF30B	Ø30	6	44	4800	6270	340
STF35B *	Ø35	6	54	5050	7060	597
STF40B *	Ø40	6	66	6710	9560	1040
STF50B *	Ø50	6	88	8970	13800	1462
STF60B *	Ø60	6	88	9700	16500	2390
STF80B *	Ø80	6	76	12700	24300	3410
STF100B *	Ø100	6	76	13700	29400	4520

* on request

Round Flange Lift / Shaft Bearings - Heavy Duty

STF...



Artikel-Nr. / Bezeichnung / Item-No. / Type	Maße und Toleranzen / Dimensions and tolerances											
	dr		D		L		Df	t	Dp	X	Y	Z
	mm	Tol. μm	mm	Tol. μm	mm	Tol. μm	mm	mm	mm	mm	mm	mm
STF6B *	6	+22 / +13	12	0 / -13	20	± 300	28	5	20	3.5	6	3.1
STF8B *	8	+22 / +13	15	0 / -13	24	± 300	32	5	24	3.5	6	3.1
STF10B *	10	+22 / +13	19	0 / -16	30	± 300	40	6	29	4.5	7.5	4.1
STF12B	12	+27 / +16	23	0 / -16	32	± 300	43	6	33	4.5	7.5	4.1
STF13B *	13	+27 / +16	23	0 / -16	32	± 300	43	6	33	4.5	7.5	4.1
STF16B	16	+27 / +16	28	0 / -16	37	± 300	48	6	38	4.5	7.5	4.1
STF20B	20	+33 / +20	32	0 / -19	45	± 300	54	8	43	5.5	9	5.1
STF25B	25	+33 / +20	37	0 / -19	45	± 300	62	8	51	5.5	9	5.1
STF30B	30	+33 / +20	45	0 / -19	65	0 / -300	74	10	60	6.6	11	6.1
STF35B *	35	+41 / +25	52	0 / -22	70	0 / -300	82	10	67	6.6	11	6.1
STF40B *	40	+41 / +25	60	0 / -22	80	0 / -300	96	13	78	9	14	8.1
STF50B *	50	+41 / +25	72	0 / -22	100	0 / -400	108	13	90	9	14	8.1
STF60B *	60	+49 / +30	85	0 / -25	100	0 / -400	128	18	106	11	17	11.1
STF80B *	80	+49 / +30	110	0 / -25	100	0 / -400	154	18	132	11	17	11.1
STF100B *	100	+58 / +36	130	0 / -29	100	0 / -400	180	20	155	14	20	13.1

* on request

Subject to errors and technical changes

Current prices can be found in the
DOLD Mechatronics web shop.

info@dold-mechatronik.de
www.dold-mechatronik.de

Page 10
DOLD Mechatronik GmbH
Schleifmattstr. 2 – D-77716 Haslach
Phone: +49 7832 / 946 980

Squared Flange Lift / Shaft Bearings - Standard

STK...



Artikel-Nr. / Bezeichnung / Item-No. / Type	Wellen-Ø / Shaft-Ø	Anzahl Kugeldreihen / No. of Ball Rows	Max. Hub / Max. Stroke (mm)	Tragzahl / Basic load rating		Gewicht / Weight (g)
				Dynamisch Dynamic C N	Statisch Static Co N	
STK6 *	Ø6	3	20	147	216	19
STK8 *	Ø8	3	24	245	343	29
STK10 *	Ø10	3	30	461	637	50
STK12	Ø12	3	32	813	1070	71
STK13 *	Ø13	3	32	813	1070	71
STK16	Ø16	3	40	990	1180	105
STK20	Ø20	3	50	1170	1260	154
STK25	Ø25	3	50	1330	1490	197
STK30	Ø30	3	82	2990	3140	230
STK35 *	Ø35	3	92	3140	3530	490
STK40 *	Ø40	3	108	4120	4800	936
STK50 *	Ø50	3	138	5540	6910	1227
STK60 *	Ø60	3	138	5980	8230	1900
STK80 *	Ø80	3	132	7840	12200	2850
STK100 *	Ø100	3	132	8430	14700	3740

* on request

Subject to errors and technical changes

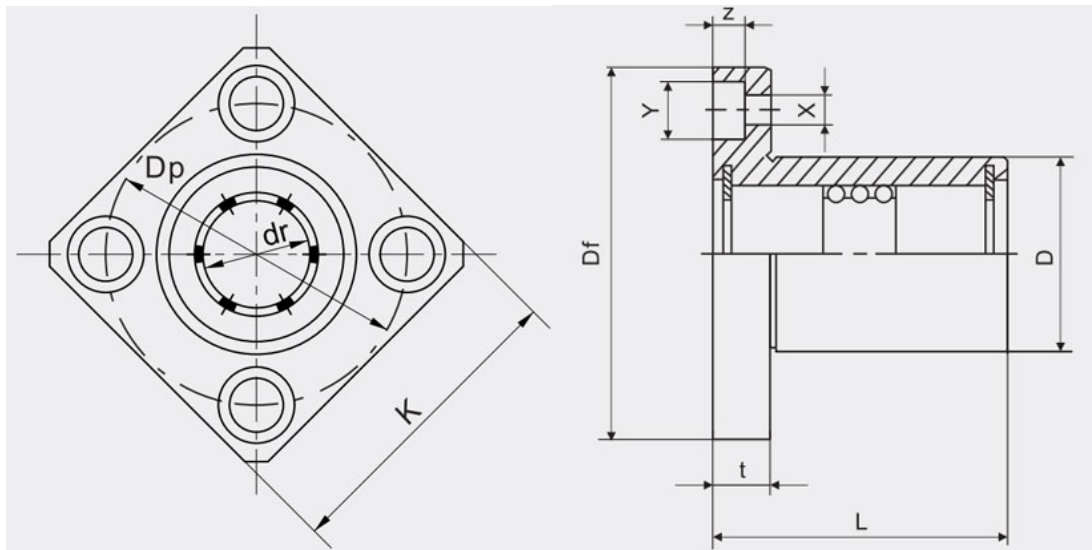
Current prices can be found in the
DOLD Mechatronics web shop.

info@dold-mechatronik.de
www.dold-mechatronik.de

Page 11
DOLD Mechatronik GmbH
Schleifmattstr. 2 – D-77716 Haslach
Phone: +49 7832 / 946 980

Squared Flange Lift / Shaft Bearings - Standard

STK...



Artikel-Nr. / Bezeichnung / Item-No. / Type	Maße und Toleranzen / Dimensions and tolerances													
	dr		D		L		Df	K	Square- ness / Square- ness μm	t	Dp	X	Y	Z
	mm	Tol. μm	mm	Tol. μm	mm	Tol. μm	mm	mm		mm	mm	mm	mm	mm
STK6 *	6	+22 / +13	12	0 / -13	20	± 300	28	22	12	5	20	3.5	6	3.1
STK8 *	8	+22 / +13	15	0 / -13	24	± 300	32	25	12	5	24	3.5	6	3.1
STK10 *	10	+22 / +13	19	0 / -16	30	± 300	40	30	12	6	29	4.5	7.5	4.1
STK12	12	+27 / +16	23	0 / -16	32	± 300	43	34	12	6	33	4.5	7.5	4.1
STK13 *	13	+27 / +16	23	0 / -16	32	± 300	43	34	12	6	33	4.5	7.5	4.1
STK16	16	+27 / +16	28	0 / -16	37	± 300	48	37	12	6	38	4.5	7.5	4.1
STK20	20	+33 / +20	32	0 / -19	45	± 300	54	42	15	8	43	5.5	9	5.1
STK25	25	+33 / +20	37	0 / -19	45	± 300	62	50	15	8	51	5.5	9	5.1
STK30	30	+33 / +20	45	0 / -19	65	0 / -300	74	58	15	10	60	6.6	11	6.1
STK35 *	35	+41 / +25	52	0 / -22	70	0 / -300	82	64	20	10	67	6.6	11	6.1
STK40 *	40	+41 / +25	60	0 / -22	80	0 / -300	96	75	20	13	78	9	14	8.1
STK50 *	50	+41 / +25	72	0 / -22	100	0 / -400	108	84	20	13	90	9	14	8.1
STK60 *	60	+49 / +30	85	0 / -25	100	0 / -400	128	104	25	18	106	11	17	11.1
STK80 *	80	+49 / +30	110	0 / -25	100	0 / -400	154	126	25	18	132	11	17	11.1
STK100 *	100	+58 / +36	130	0 / -29	100	0 / -400	180	150	30	20	155	14	20	13.1

* on request

Subject to errors and technical changes

Current prices can be found in the
DOLD Mechatronics web shop.

info@dold-mechatronik.de
www.dold-mechatronik.de

Page 12
DOLD Mechatronik GmbH
Schleifmattstr. 2 – D-77716 Haslach
Phone: +49 7832 / 946 980

Squared Flange Lift / Shaft Bearings - Heavy Duty

STF...B

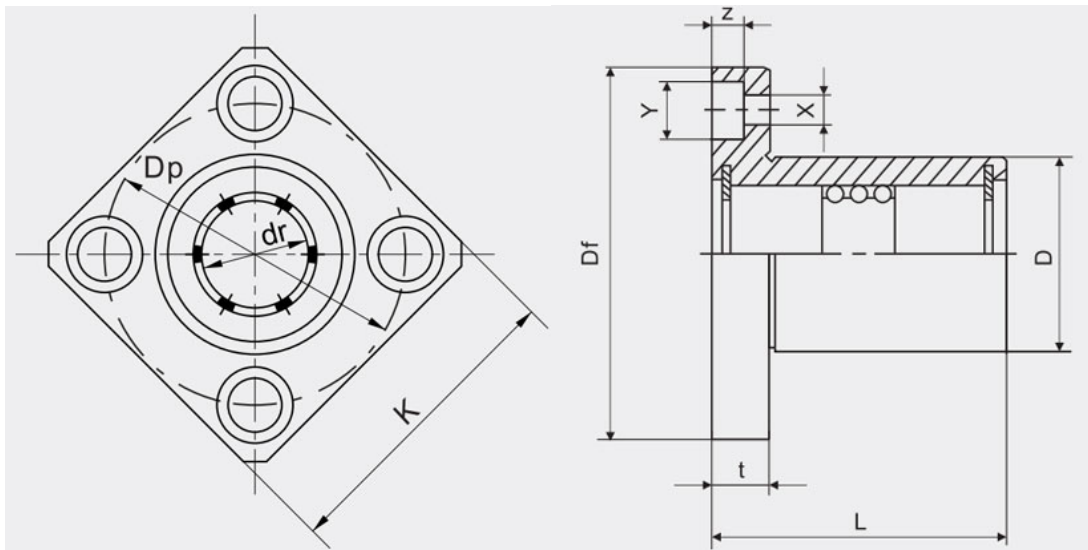


Artikel-Nr. / Bezeichnung / Item-No. / Type	Wellen-Ø / Shaft-Ø	Anzahl Kugelreihen / No. of Ball Rows	Max. Hub / Max. Stroke (mm)	Tragzahl / Basic load rating		Gewicht / Weight (g)
				Dynamisch Dynamic C N	Statisch Static Co N	
STK6B *	Ø6	6	8	312	358	20
STK8B *	Ø8	6	8	490	549	30.2
STK10B *	Ø10	6	8	931	1030	52.4
STK12B	Ø12	6	8	1630	1720	75
STK13B *	Ø13	6	8	1630	1720	75
STK16B	Ø16	6	16	1910	1980	109
STK20B	Ø20	6	20	2060	2320	161
STK25B	Ø25	6	20	2170	2670	205
STK30B	Ø30	6	44	4800	6270	245
STK35B *	Ø35	6	54	5050	7060	507
STK40B *	Ø40	6	66	6710	9560	960
STK50B *	Ø50	6	88	8970	13800	1262
STK60B *	Ø60	6	88	9700	16500	1950
STK80B *	Ø80	6	76	12700	24300	2910
STK100B *	Ø100	6	76	13700	29400	3820

* on request

Squared Flange Lift / Shaft Bearings - Heavy Duty

STF...



Artikel-Nr. / Bezeichnung / Item-No. / Type	Maße und Toleranzen / Dimensions and tolerances													
	dr		D		L		Df	K	Square- ness / Square- ness μm	t	Dp	X	Y	Z
	mm	Tol. μm	mm	Tol. μm	mm	Tol. μm	mm	mm		mm	mm	mm	mm	mm
STK6B *	6	+22 / +13	12	0 / -13	20	± 300	28	22	12	5	20	3.5	6	3.1
STK8B *	8	+22 / +13	15	0 / -13	24	± 300	32	25	12	5	24	3.5	6	3.1
STK10B *	10	+22 / +13	19	0 / -16	30	± 300	40	30	12	6	29	4.5	7.5	4.1
STK12B	12	+27 / +16	23	0 / -16	32	± 300	43	34	12	6	33	4.5	7.5	4.1
STK13B *	13	+27 / +16	23	0 / -16	32	± 300	43	34	12	6	33	4.5	7.5	4.1
STK16B	16	+27 / +16	28	0 / -16	37	± 300	48	37	12	6	38	4.5	7.5	4.1
STK20B	20	+33 / +20	32	0 / -19	45	± 300	54	42	15	8	43	5.5	9	5.1
STK25B	25	+33 / +20	37	0 / -19	45	± 300	62	50	15	8	51	5.5	9	5.1
STK30B	30	+33 / +20	45	0 / -19	65	0 / -300	74	58	15	10	60	6.6	11	6.1
STK35B *	35	+41 / +25	52	0 / -22	70	0 / -300	82	64	20	10	67	6.6	11	6.1
STK40B *	40	+41 / +25	60	0 / -22	80	0 / -300	96	75	20	13	78	9	14	8.1
STK50B *	50	+41 / +25	72	0 / -22	100	0 / -400	108	84	20	13	90	9	14	8.1
STK60B *	60	+49 / +30	85	0 / -25	100	0 / -400	128	104	25	18	106	11	17	11.1
STK80B *	80	+49 / +30	110	0 / -25	100	0 / -400	154	126	25	18	132	11	17	11.1
STK100B *	100	+58 / +36	130	0 / -29	100	0 / -400	180	150	30	20	155	14	20	13.1

* on request

Subject to errors and technical changes

Current prices can be found in the
DOLD Mechatronics web shop.

info@dold-mechatronik.de
www.dold-mechatronik.de

Page 14
DOLD Mechatronik GmbH
Schleifmattstr. 2 – D-77716 Haslach
Phone: +49 7832 / 946 980

Two Side Cut Flange Lift / Shaft Bearings - Standard

STK...



Artikel-Nr. / Bezeichnung / Item-No. / Type	Wellen-Ø / Shaft-Ø	Anzahl Kugelreihen / No. of Ball Rows	Max. Hub / Max. Stroke (mm)	Tragzahl / Basic load rating		Gewicht / Weight (g)
				Dynamisch Dynamic C N	Statisch Static Co N	
STH6 *	Ø6	3	20	147	216	22
STH8 *	Ø8	3	24	245	343	33
STH10 *	Ø10	3	30	461	637	60
STH12	Ø12	3	32	813	1070	79
STH13 *	Ø13	3	32	813	1070	79
STH16	Ø16	3	40	990	1180	115
STH20	Ø20	3	50	1170	1260	175
STH25	Ø25	3	50	1330	1490	220
STH30	Ø30	3	82	2990	3140	290
STH35 *	Ø35	3	92	3140	3530	535
STH40 *	Ø40	3	108	4120	4800	1036

* on request

Subject to errors and technical changes

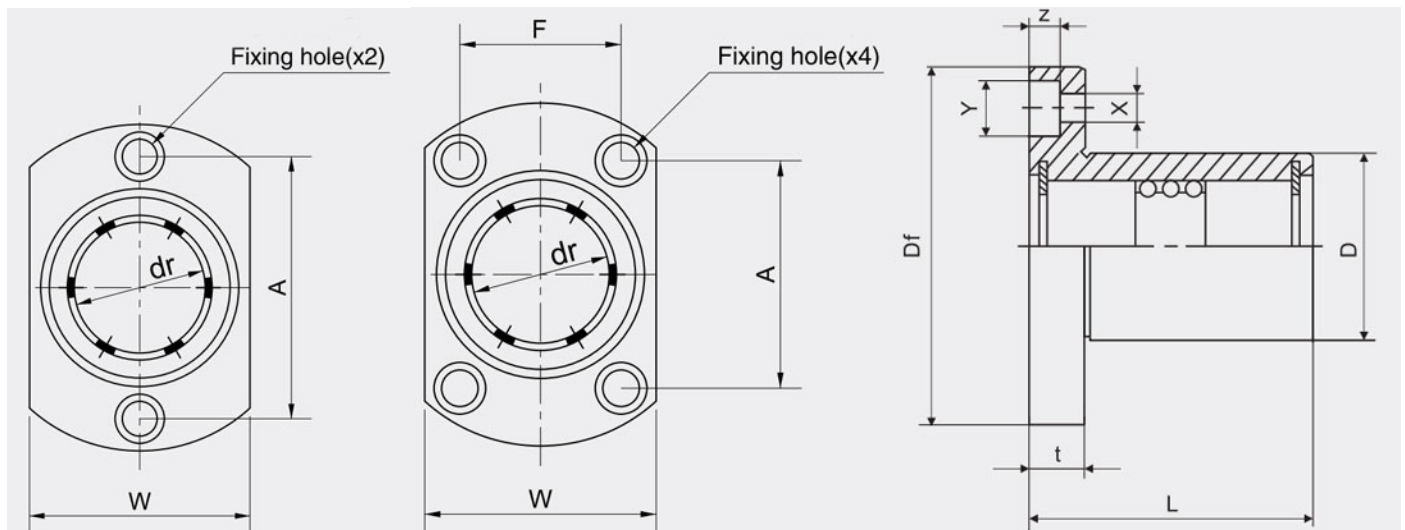
Current prices can be found in the
DOLD Mechatronics web shop.

info@dold-mechatronik.de
www.dold-mechatronik.de

Page 15
DOLD Mechatronik GmbH
Schleifmattstr. 2 – D-77716 Haslach
Phone: +49 7832 / 946 980

Two Side Cut Flange Lift / Shaft Bearings - Standard

STK...



bis STF13 /
till STF13

ab STF16 und größer /
from STF16 and bigger

Artikel-Nr. / Bezeichnung / Item-No. / Type	Maße und Toleranzen / Dimensions and tolerances														
	dr		D		L		Df	W	Square- ness / Square- ness μm	t	A	F	X	Y	Z
	mm	Tol. μm	mm	Tol. μm	mm	Tol. μm	mm	mm		mm	mm	mm	mm	mm	mm
STH6 *	6	+22 / +13	12	0 / -13	20	± 300	28	18	12	5	20	-	3.5	6	3.1
STH8 *	8	+22 / +13	15	0 / -13	24	± 300	32	21	12	5	24	-	3.5	6	3.1
STH10 *	10	+22 / +13	19	0 / -16	30	± 300	40	25	12	6	29	-	4.5	7.5	4.1
STH12	12	+27 / +16	23	0 / -16	32	± 300	43	29	12	6	33	-	4.5	7.5	4.1
STH13 *	13	+27 / +16	23	0 / -16	32	± 300	43	29	12	6	33	-	4.5	7.5	4.1
STH16	16	+27 / +16	28	0 / -16	37	± 300	48	34	12	6	31	22	4.5	7.5	4.1
STH20	20	+33 / +20	32	0 / -19	45	± 300	54	38	15	8	36	24	5.5	9	5.1
STH25	25	+33 / +20	37	0 / -19	45	± 300	62	46	15	8	40	32	5.5	9	5.1
STH30	30	+33 / +20	45	0 / -19	65	0 / -300	74	51	15	10	49	35	6.6	11	6.1
STH35 *	35	+41 / +25	52	0 / -22	70	0 / -300	82	60	20	10	55	38	6.6	11	6.1
STH40 *	40	+41 / +25	60	0 / -22	80	0 / -300	96	70	20	13	64	45	9	14	8.1

* on request

Subject to errors and technical changes

Current prices can be found in the
DOLD Mechatronics web shop.

info@dold-mechatronik.de
www.dold-mechatronik.de

Page 16
DOLD Mechatronik GmbH
Schleifmattstr. 2 – D-77716 Haslach
Phone: +49 7832 / 946 980

Two Side Cut Flange Lift / Shaft Bearings - Heavy Duty

STF...B



Artikel-Nr. / Bezeichnung / Item-No. / Type	Wellen-Ø / Shaft-Ø	Anzahl Kugelsreihen / No. of Ball Rows	Max. Hub / Max. Stroke (mm)	Tragzahl / Basic load rating		Gewicht / Weight (g)
				Dynamisch Dynamic C N	Statisch Static Co N	
STH6B *	Ø6	6	8	312	358	23
STH8B *	Ø8	6	8	490	549	37
STH10B *	Ø10	6	8	931	1030	65
STH12B	Ø12	6	8	1630	1720	86
STH13B *	Ø13	6	8	1630	1720	86
STH16B	Ø16	6	16	1910	1980	123
STH20B	Ø20	6	20	2060	2320	187
STH25B	Ø25	6	20	2170	2670	232
STH30B	Ø30	6	44	4800	6270	312
STH35B *	Ø35	6	54	5050	7060	586
STH40B *	Ø40	6	66	6710	9560	1069

* on request

Subject to errors and technical changes

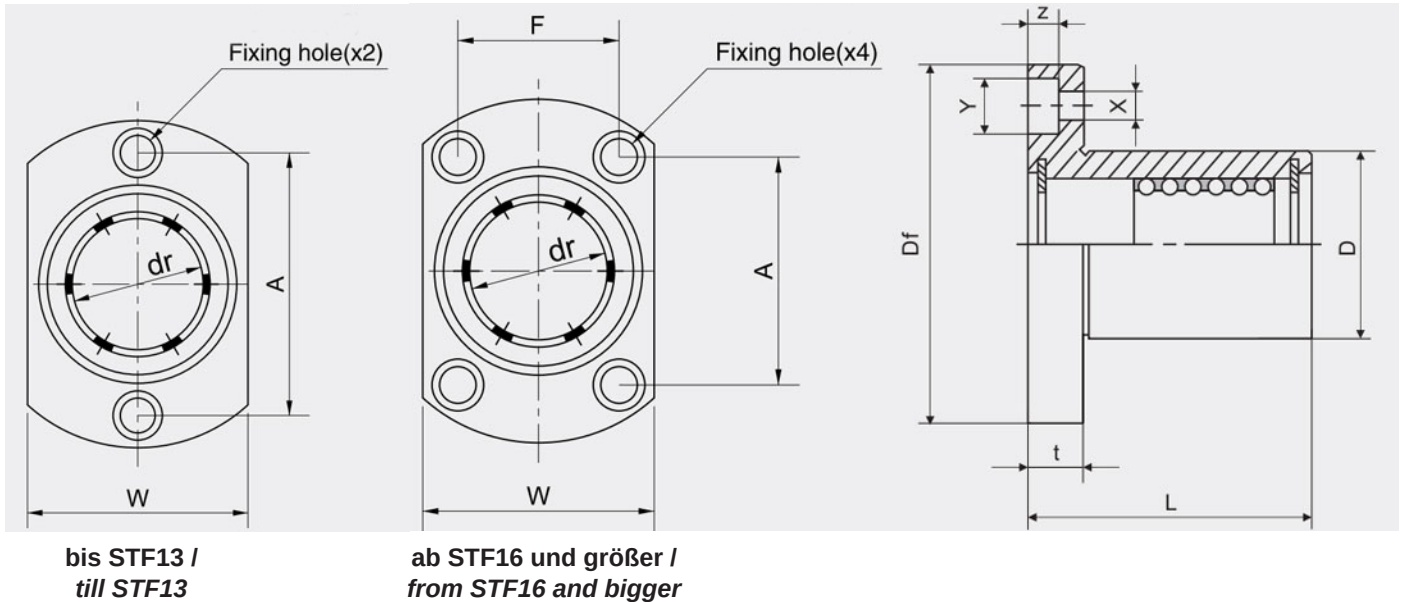
Current prices can be found in the
DOLD Mechatronics web shop.

info@dold-mechatronik.de
www.dold-mechatronik.de

Page 17
DOLD Mechatronik GmbH
Schleifmattstr. 2 – D-77716 Haslach
Phone: +49 7832 / 946 980

Two Side Cut Flange Lift / Shaft Bearings - Heavy Duty

STF...B



Artikel-Nr. / Bezeichnung / Item-No. / Type	Maße und Toleranzen / Dimensions and tolerances														
	dr		D		L		Df	W	Square- ness / Square- ness μm	t	A	F	X	Y	Z
	mm	Tol. μm	mm	Tol. μm	mm	Tol. μm	mm	mm		mm	mm	mm	mm	mm	mm
STH6B *	6	+22 / +13	12	0 / -13	20	± 300	28	18	12	5	20	-	3.5	6	3.1
STH8B *	8	+22 / +13	15	0 / -13	24	± 300	32	21	12	5	24	-	3.5	6	3.1
STH10B *	10	+22 / +13	19	0 / -16	30	± 300	40	25	12	6	29	-	4.5	7.5	4.1
STH12B	12	+27 / +16	23	0 / -16	32	± 300	43	29	12	6	33	-	4.5	7.5	4.1
STH13B *	13	+27 / +16	23	0 / -16	32	± 300	43	29	12	6	33	-	4.5	7.5	4.1
STH16B	16	+27 / +16	28	0 / -16	37	± 300	48	34	12	6	31	22	4.5	7.5	4.1
STH20B	20	+33 / +20	32	0 / -19	45	± 300	54	38	15	8	36	24	5.5	9	5.1
STH25B	25	+33 / +20	37	0 / -19	45	± 300	62	46	15	8	40	32	5.5	9	5.1
STH30B	30	+33 / +20	45	0 / -19	65	0 / -300	74	51	15	10	49	35	6.6	11	6.1
STH35B *	35	+41 / +25	52	0 / -22	70	0 / -300	82	60	20	10	55	38	6.6	11	6.1
STH40B *	40	+41 / +25	60	0 / -22	80	0 / -300	96	70	20	13	64	45	9	14	8.1

* on request

Subject to errors and technical changes

Current prices can be found in the
DOLD Mechatronics web shop.

info@dold-mechatronik.de
www.dold-mechatronik.de

Page 18
DOLD Mechatronik GmbH
Schleifmattstr. 2 – D-77716 Haslach
Phone: +49 7832 / 946 980